

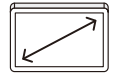
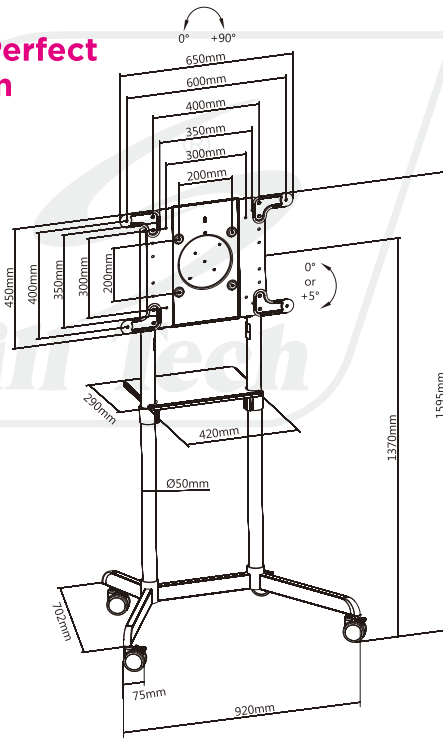
# SH 046RMS

## ROTATING MOBILE DISPLAY STAND

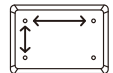
For Most 37"-75" Flat Panel TVs



### Height & Angle Adjustable for Perfect Viewing Position



Screen Size  
**37"-75"**



VESA Compatible  
**200x200 300x300 350x350  
400x200 400x400 600x200  
600x400**



Weight Capacity  
**70kg/154lbs**



Weight Capacity  
**5kg/11lbs**



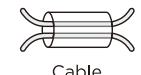
Tilt Range  
**0° or 5°**



Screen Rotation  
**0-+90°**



Direction Indicator



Cable Management



**Power Strip Storage Design**



**Built-in Cable Management** keeps wiring organized to avoid clutter.



**MDF Equipment Shelf** for easy access to materials and equipment.



**Contemporary Rounded Edges** looks great while preventing accidents.